

# BOCCHI

[www.bocchiusa.com](http://www.bocchiusa.com)

**Model No. 1616**

Customer Service: 877-565-2221

**NOTE:** Cutout template is provided as a guide ONLY and must be checked against actual sink to verify correct fit.

33.1"(840.0mm)  
TOP MOUNT

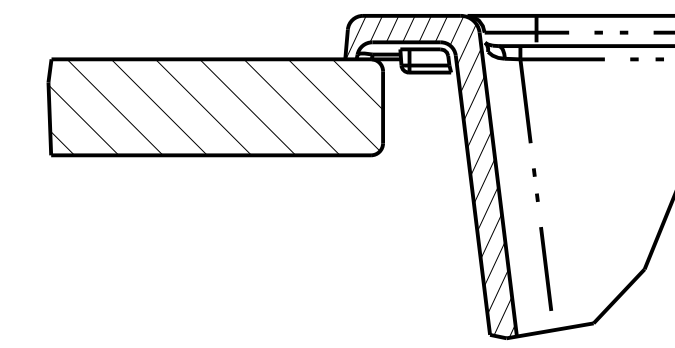
31.0"(788.0mm)  
REVEAL

CUTLINE TOPMOUNT

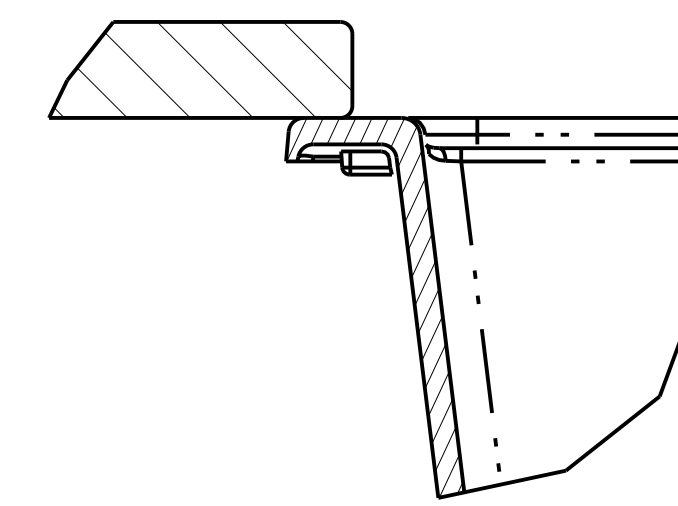
CUTLINE REVEAL

18.9"(480.0mm)  
TOP MOUNT

16.3"(413.0mm)  
REVEAL



**Top Mount**  
Sink is dropped into the cut out provided as a dashed line on this template.



**Reveal**  
The countertop extends back from the edge of the sink on all sides.

.5"(R13.0mm)  
ALL RADII

